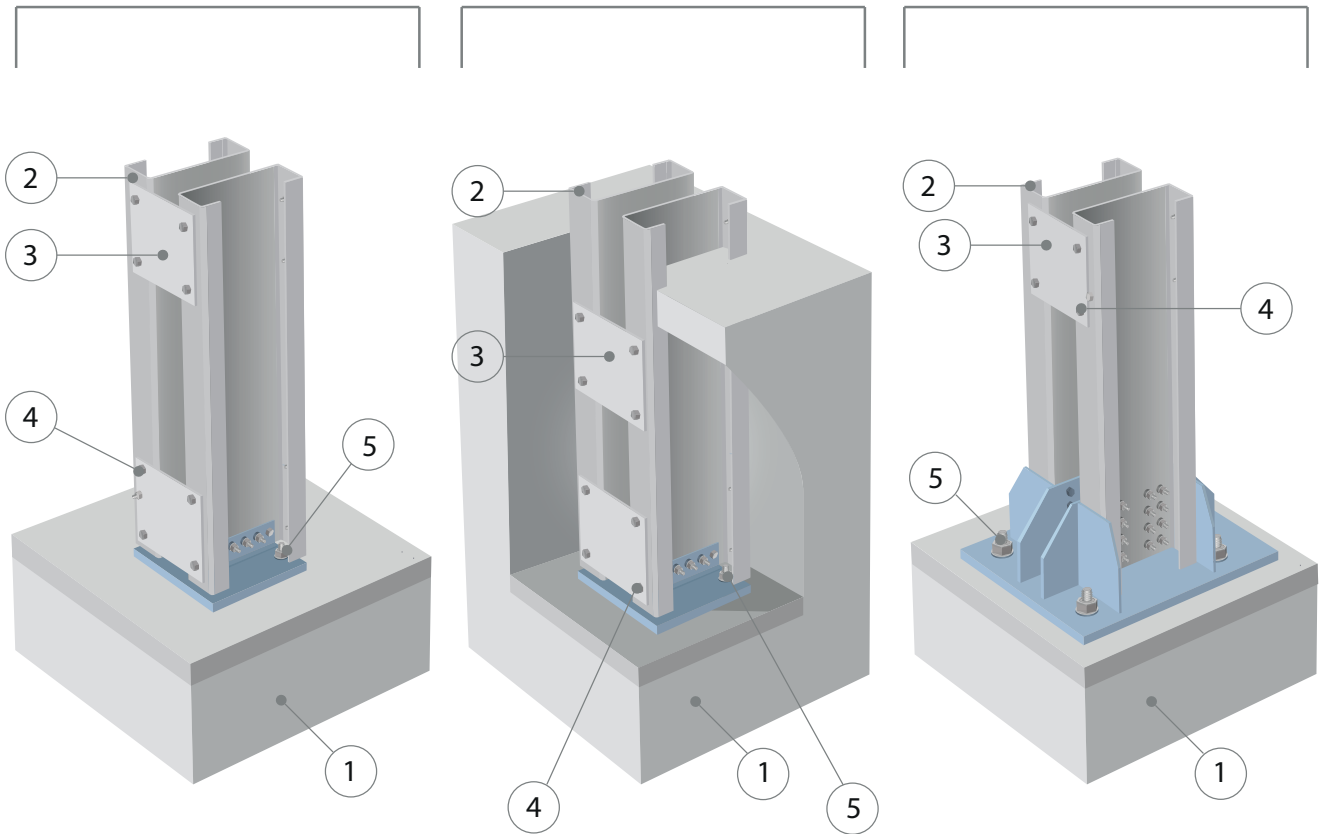


Column – foundation connection

HINGED

RESTRAINED
IN FOUNDATION

FIXED

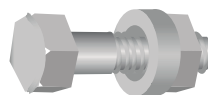


1 Footing

2 Main girder column,
with hot-dip zinc
coating (450 g/m²),
pre-formed holes

3 Batten

4 Galvanized, mounting screw
class 8.8 with pad and nut



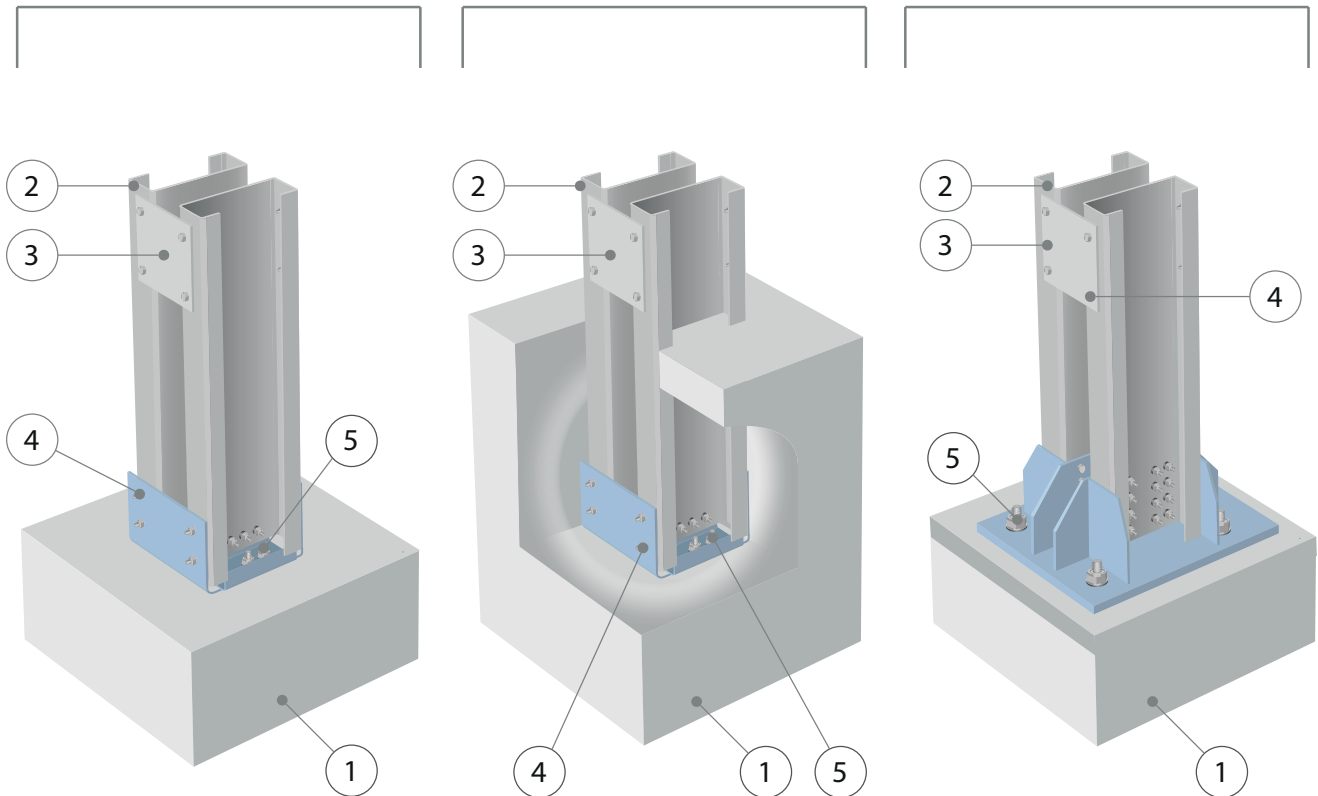
5 Injectable anchors or cast-in anchors

Column – foundation connection

HINGED

RESTRAINED
IN FOUNDATION

FIXED

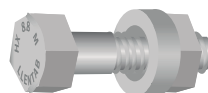


1 Footing

2 Main girder column,
with hot-dip zinc
coating (450 g/m²),
pre-formed holes

3 Batten

4 Galvanized, mounting screw
class 8.8 with pad and nut



5 Injectable anchors or cast-in anchors